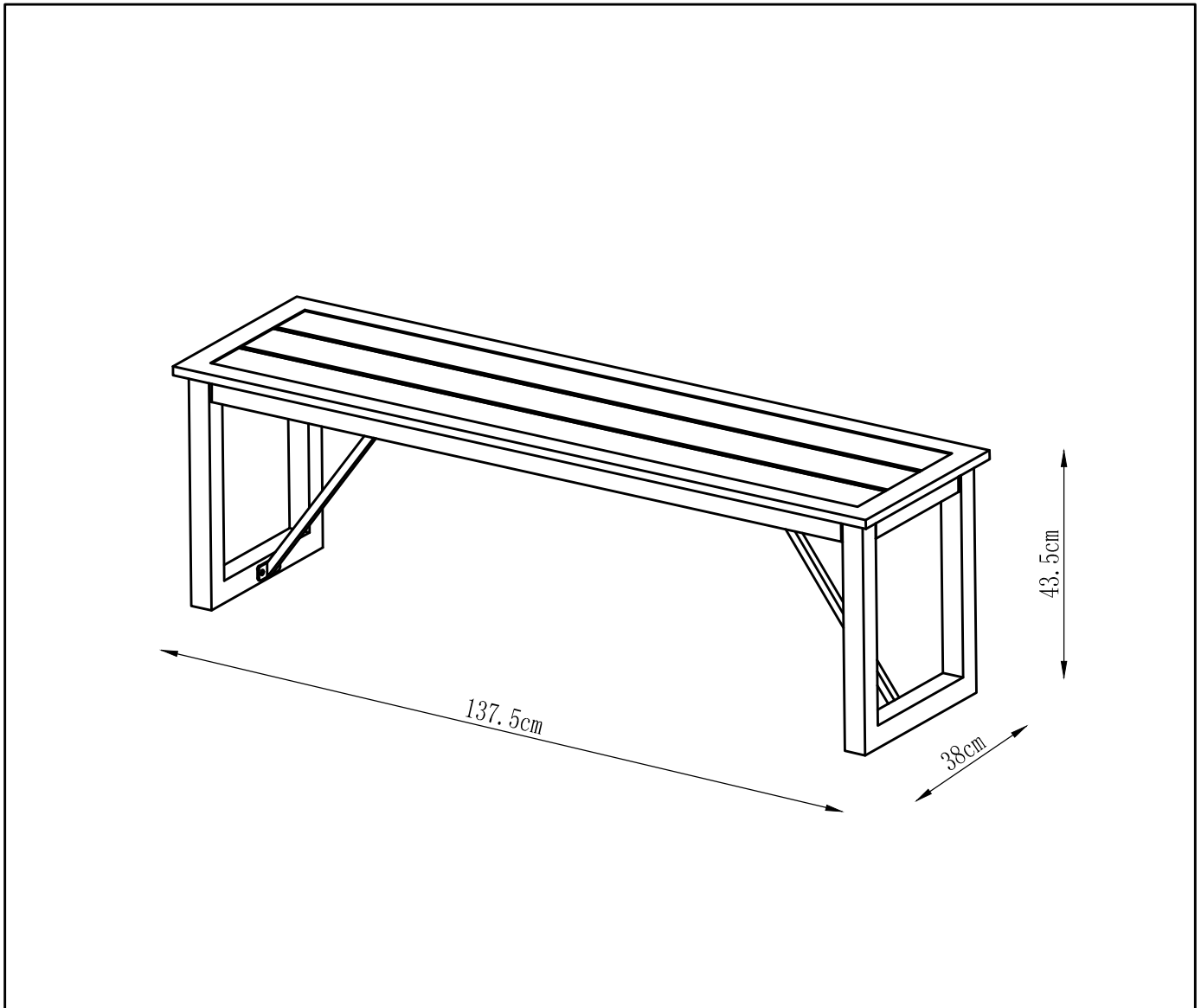




ASSEMBLY INSTRUCTION
MANSFIELD 3PCE BENCH DINING SETTING
ITEM CODE - 65775

Imported by Amart Furniture Pty Ltd, Qld, Brisbane Australia .
For any assistance with assembly or for missing parts please phone
Amart Furniture, Customer Service Freecall 1800 351 084


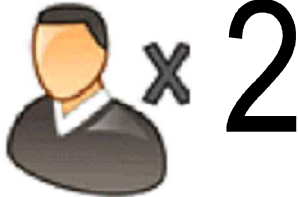


Imported by Amart Furniture Pty Ltd, Qld, Brisbane Australia .
For any assistance with assembly or for missing parts please phone
Amart Furniture, Customer Service Freecall 1800 351 084

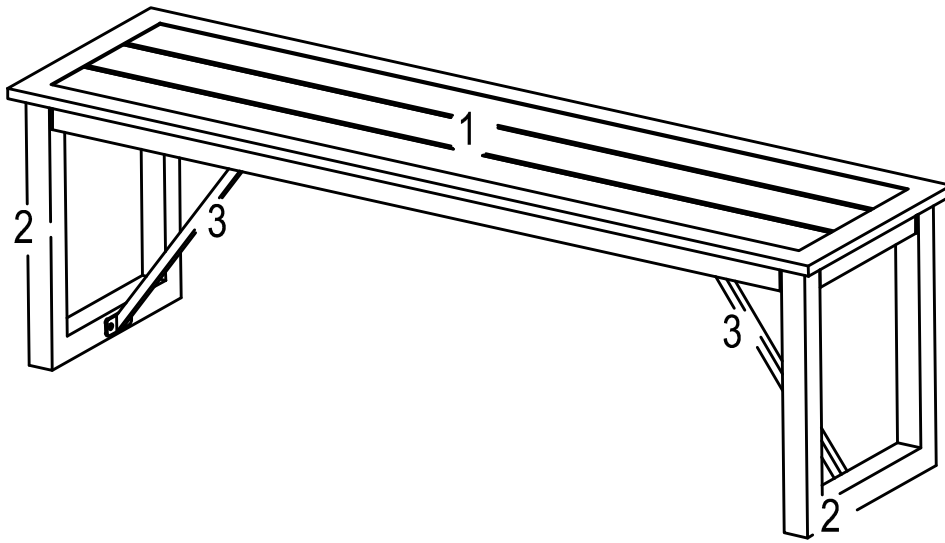
PRE-ASSEMBLY PREPARATION

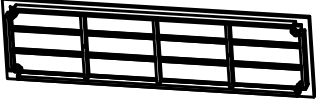
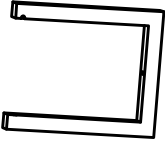

Before you start:


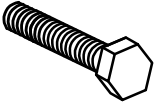

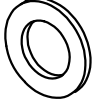
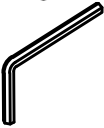


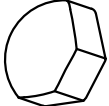

1. Choose a clean, level, spacious assembly area. Avoid hard surfaces that may damage the product.
2. Take care when lifting. Product should be assembled as near as possible to the point of use.
3. Ensure that you have all required contents for complete assembly.
4. Always read the assembly instructions carefully before beginning assembly.
5. Keep all hardware parts and packaging out of reach of small children.
6. Do not over tighten the screws and bolts as this may damage the threads.

	
ALLOW 20 MINUTES	PEOPLE REQUIRED
ADDITIONAL TOOLS REQUIRED	

PARTS LIST

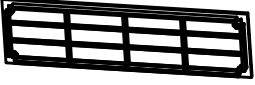
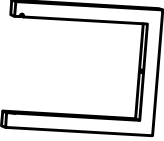
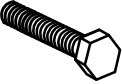






1	Seat		2	2	Leg		4
3	Fixed link		4				

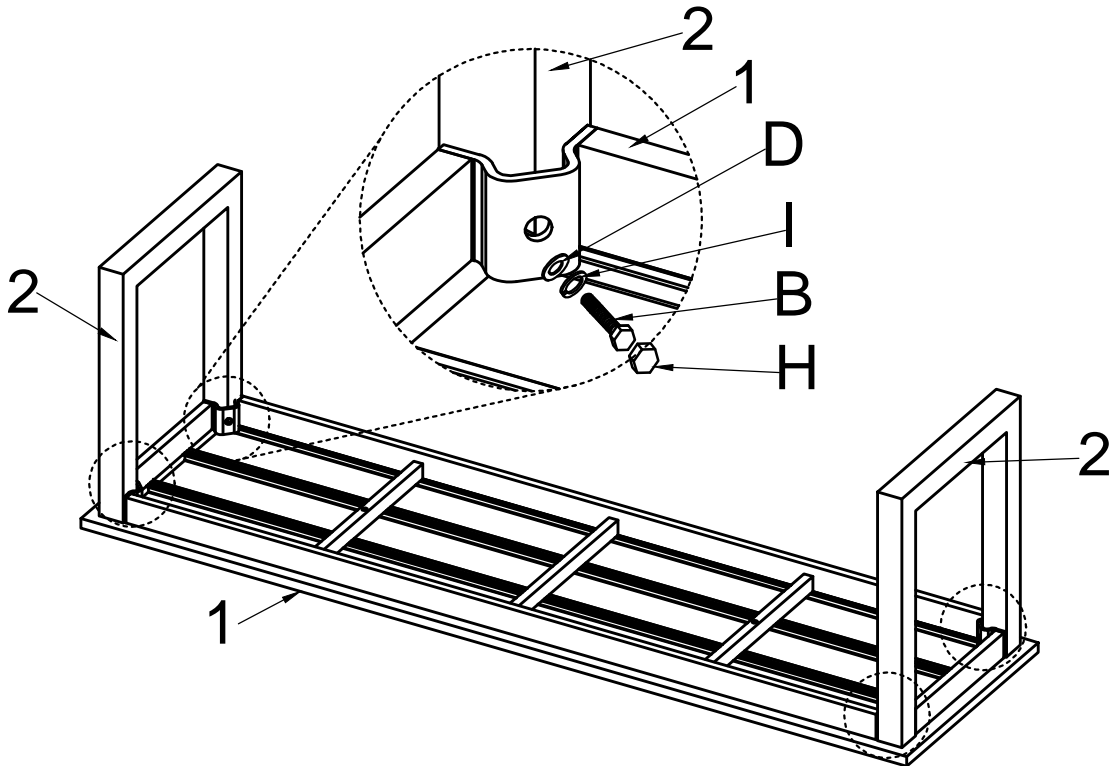
A. Bolt  M6*15*12PC	B. Bolt  M8*30*8PC	C. Shim  M6*12PC	D. Shim  M8*8PC
E. Hexagon Key  M6*1PC	F. Wrench  M8*1PC	G. Screw cap  M6*12PC	H. Nut cap  M8*8PC
I. Spring washer  M8*8PCS			

Step 1:

ITEMS REQUIRED






1. Seat 1PC 	2. Leg 2PCS 			
B. Bolt  M8*30*4PCS	F. Wrench  M8*1PC	D. Shim  M8*4PCS	I. Spring washer  M8*4PCS	H. Nut cap  M8*4PCS

- Attach leg (2) to seat (1) using bolt (B) with shim (D) & spring washer (I).
- Tighten with wrench (F).
- Cover with nut cap (H) after tightening.

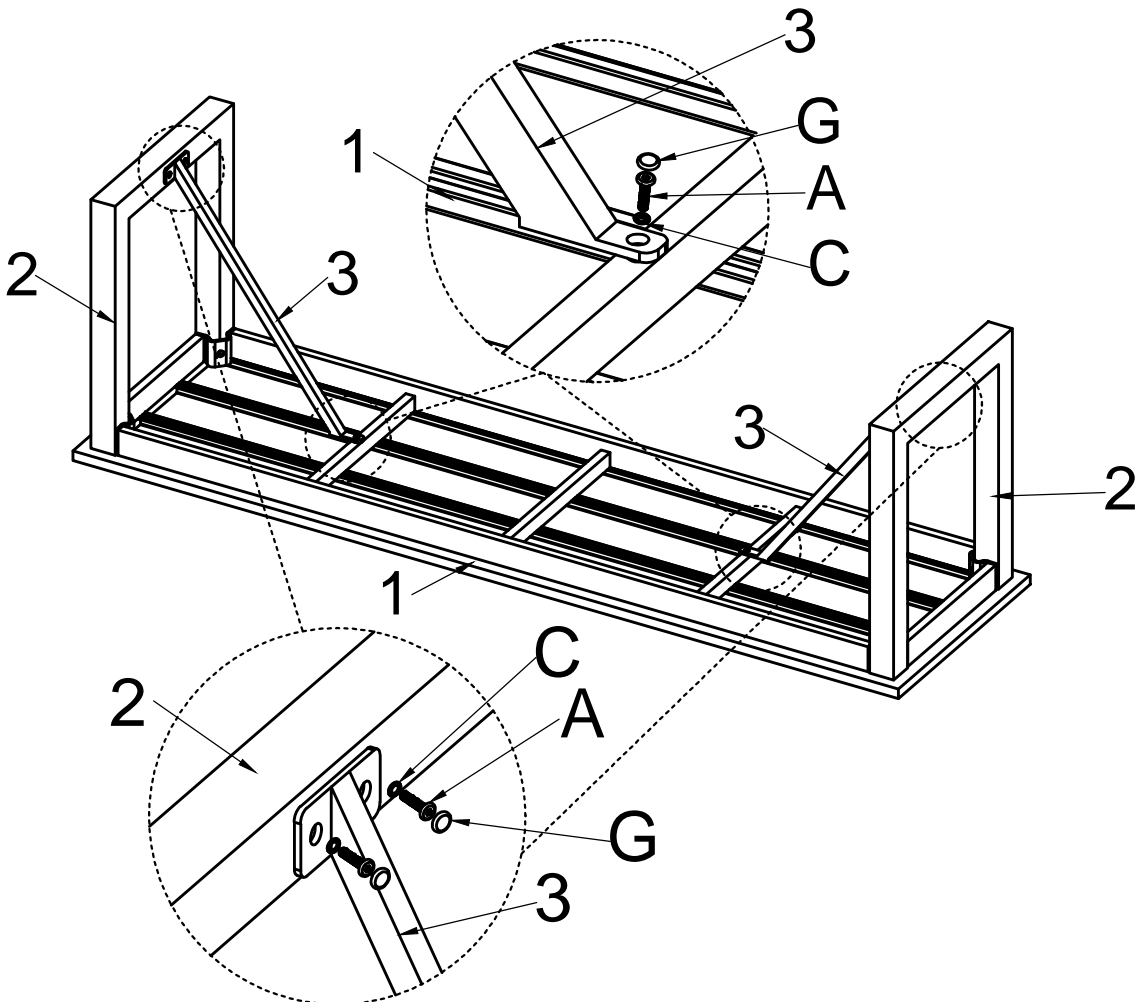


Step 2:

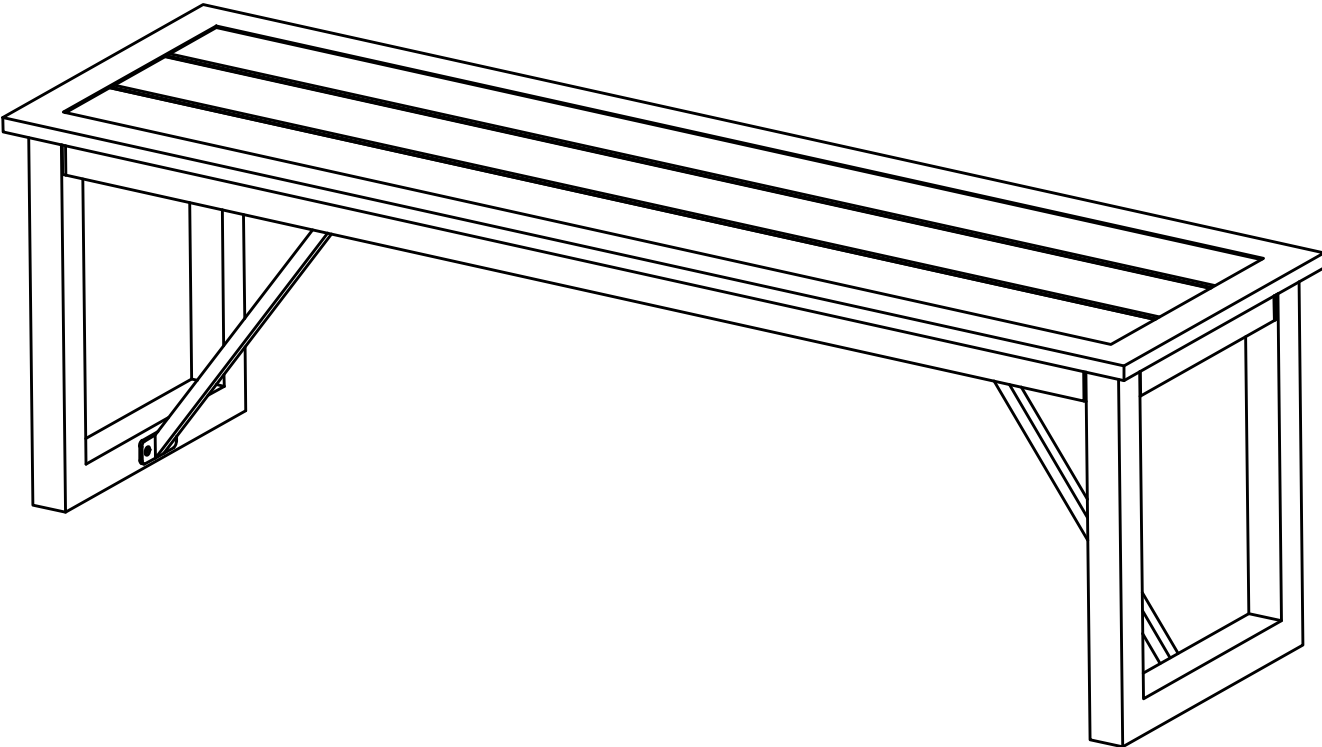
ITEMS REQUIRED

3. Fixed link 2PC 			
A. Bolt  M6*15*6PC	E. Hexagon Key  M6*1PC	C. Shim  M6*6PC	G. Screw cap  M6*6PC

- Attach fixed link (3) to leg(2) using bolt (A)&shim (C).
- Tighten with hexagon key (B) .
- Cover with screw cap (G) after tightening.



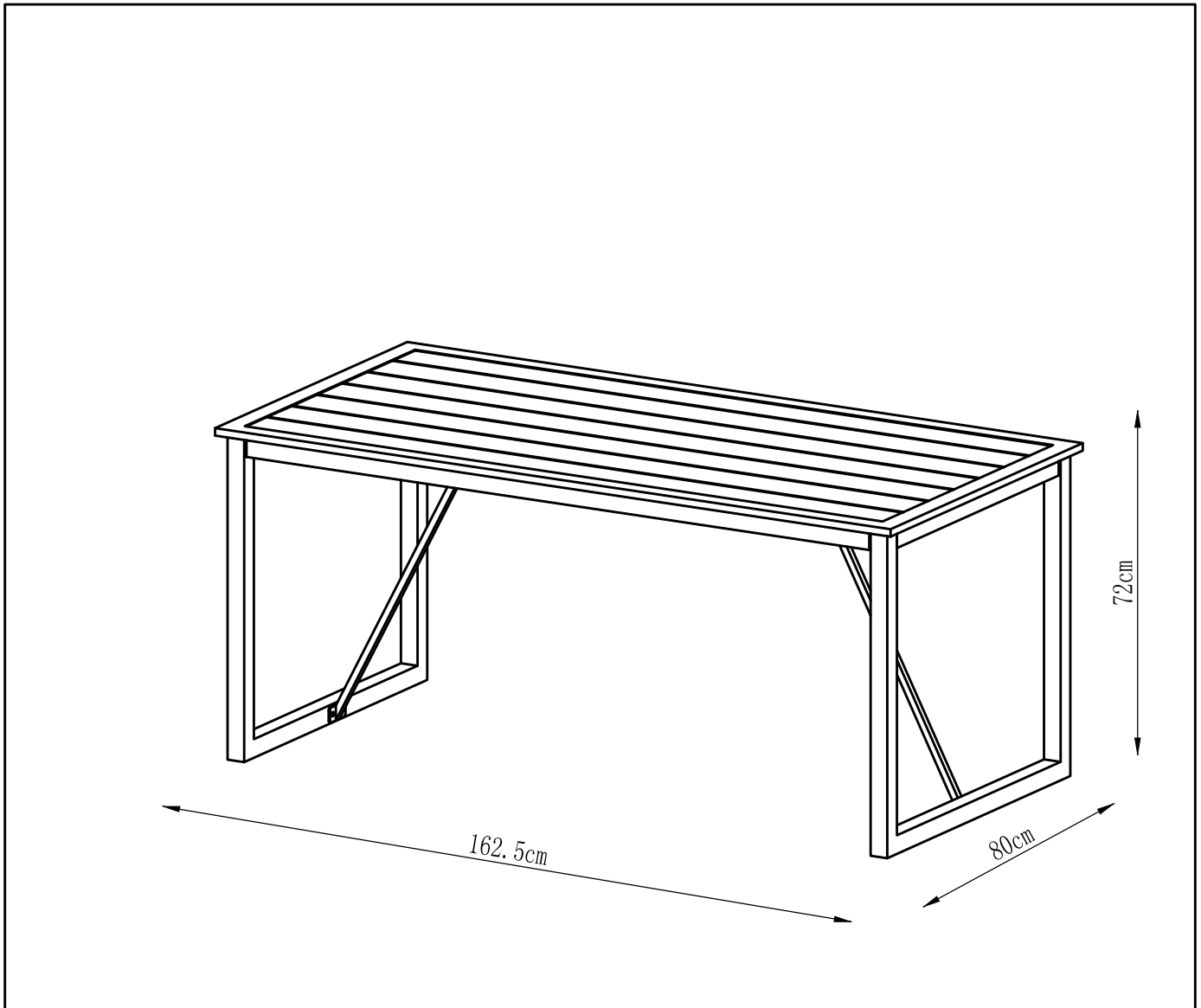
ASSEMBLY IS COMPLETE





ASSEMBLY INSTRUCTION
MANSFIELD 3PCE BENCH DINING SETTING
ITEM CODE - 65775

Imported by Amart Furniture Pty Ltd, Qld, Brisbane Australia .
For any assistance with assembly or for missing parts please phone
Amart Furniture, Customer Service Freecall 1800 351 084


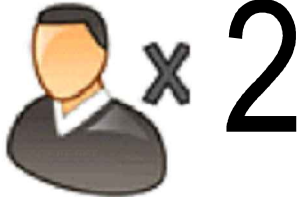


Imported by Amart Furniture Pty Ltd, Qld, Brisbane Australia .
For any assistance with assembly or for missing parts please phone
Amart Furniture, Customer Service Freecall 1800 351 084

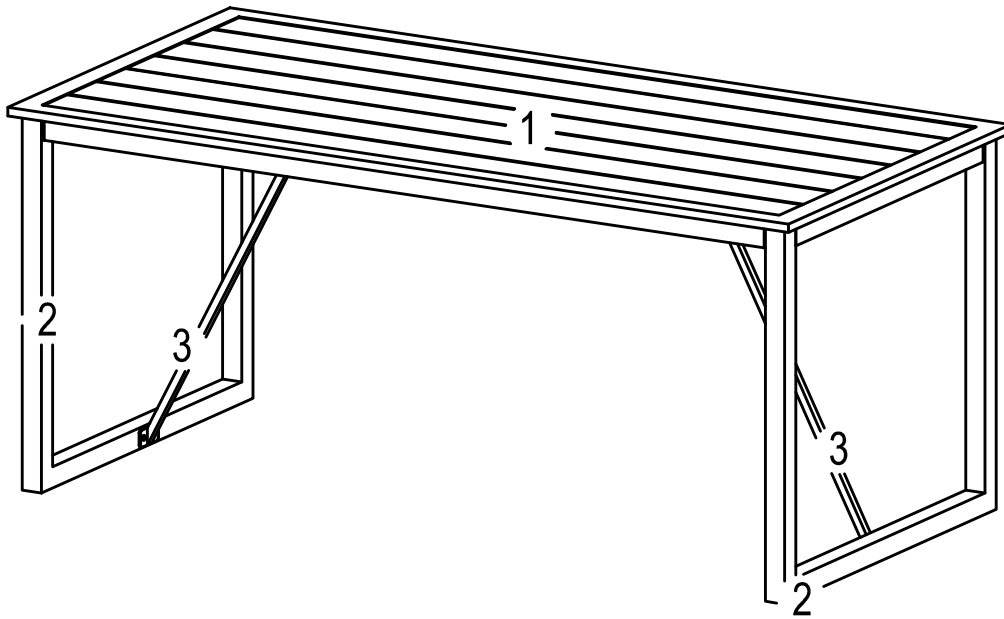
PRE-ASSEMBLY PREPARATION

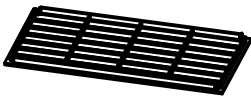
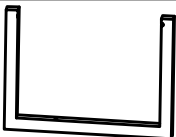
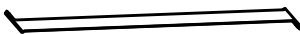
Before you start:


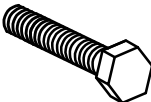

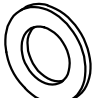
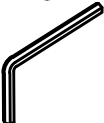




1. Choose a clean, level, spacious assembly area. Avoid hard surfaces that may damage the product.
2. Take care when lifting. Product should be assembled as near as possible to the point of use.
3. Ensure that you have all required contents for complete assembly.
4. Always read the assembly instructions carefully before beginning assembly.
5. Keep all hardware parts and packaging out of reach of small children.
6. Do not over tighten the screws and bolts as this may damage the threads.

	
ALLOW 20 MINUTES	PEOPLE REQUIRED
ADDITIONAL TOOLS REQUIRED	

PARTS LIST

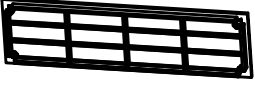
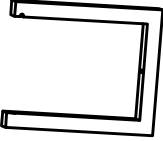
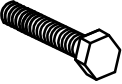






1	Table rim		1	2	Leg		2
3	Fixed link		2				

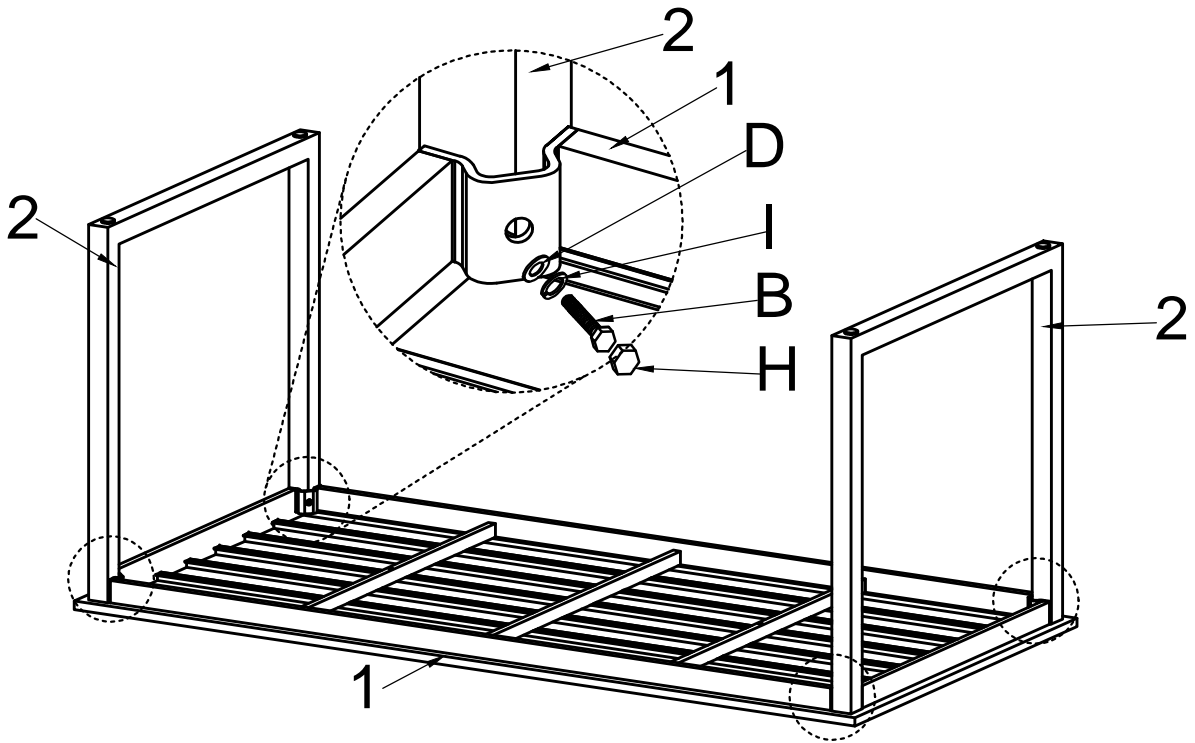
A. Bolt  M6*15*6PC	B. Bolt  M8*30*4PC	C. Shim  M6*6PC	D. Shim  M8*4PC
E. Hexagon key  M6*1PC	F. Wrench  M8*1PC	G. Screw cap  M6*6PC	H. Nut cap  M8*4PC
Spring washer  M8*4PCS			

Step 1:

ITEMS REQUIRED






1. Seat 1PC 	2. Leg 2PCS 			
B. Bolt  M8*30*4PCS	F. Wrench  M8*1PC	D. Shim  M8*4PCS	I. Spring washer  M8*4PCS	H. Nut cap  M8*4PCS

- Attach leg (2) to seat (1) using bolt (B) with shim (D) & spring washer (I).
- Tighten with wrench (F).
- Cover with nut cap (H) after tightening.

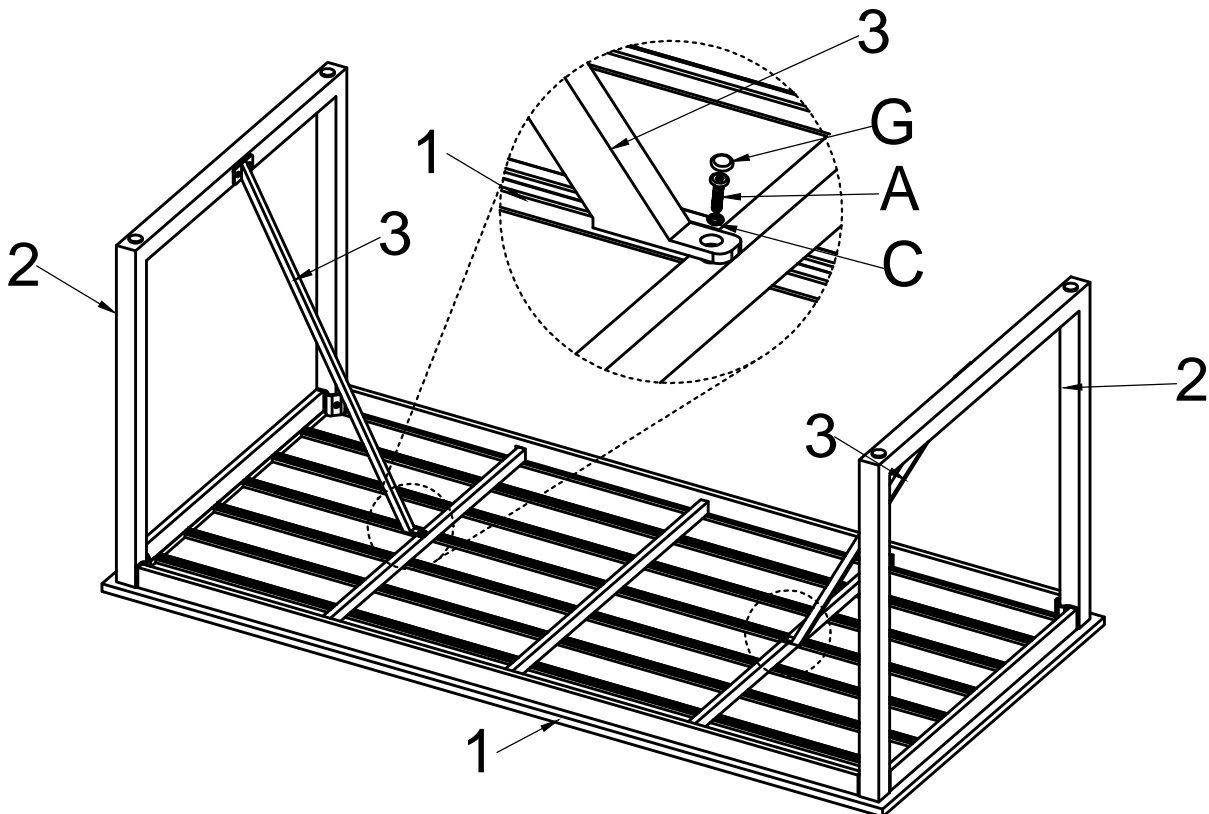


Step 2:

ITEMS REQUIRED





3. Fixed link 2PC 			
A. Bolt  M6*15*2PC	E. Hexagon Key  M6*1PC	C. Shim  M6*2PC	G. Screw cap  M6*2PC

- Attach fixed link (3) to leg(2) using bolt (A)&shim (C).
- Tighten with hexagon key (B) .
- Cover with screw cap (G) after tightening.

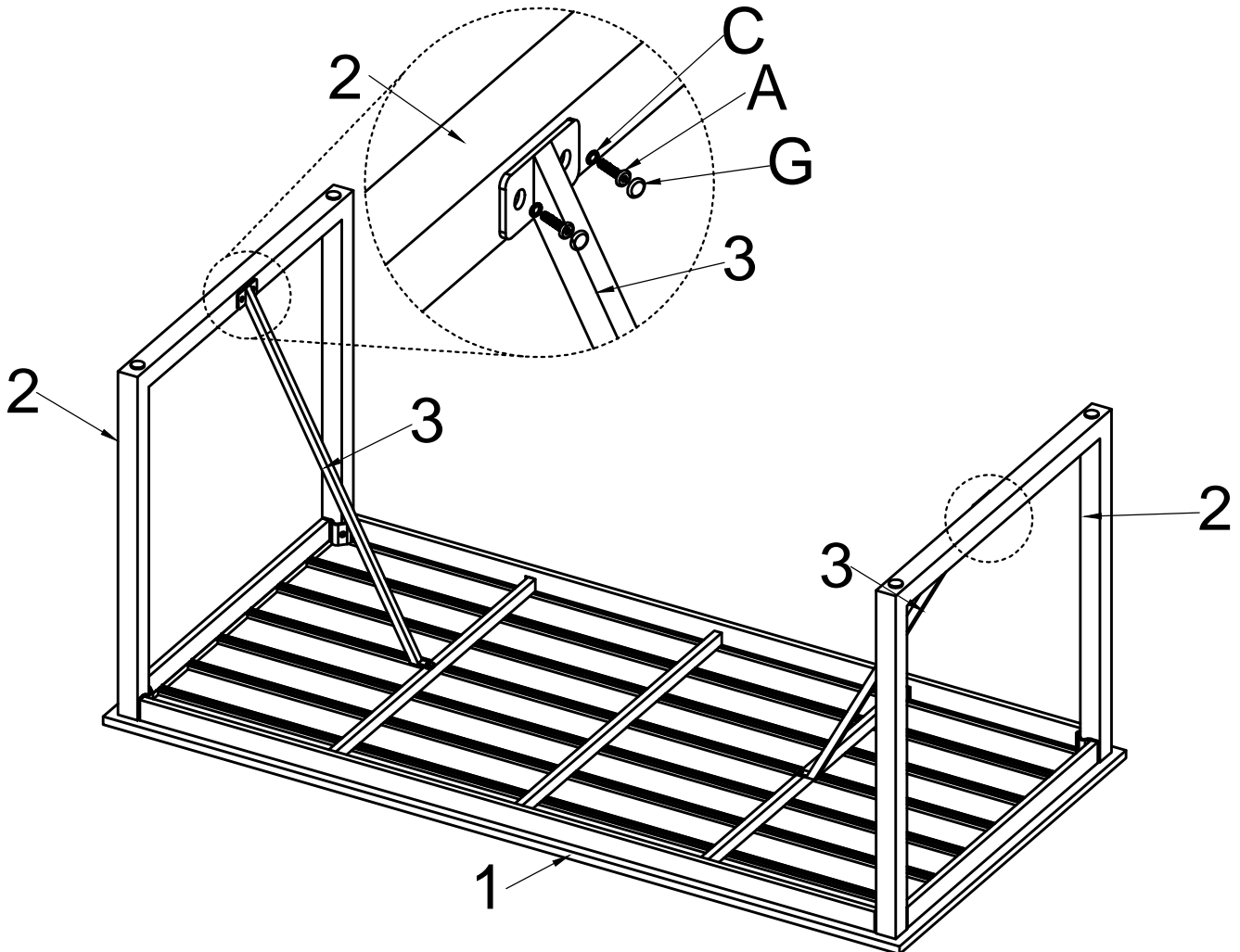


Step 3:

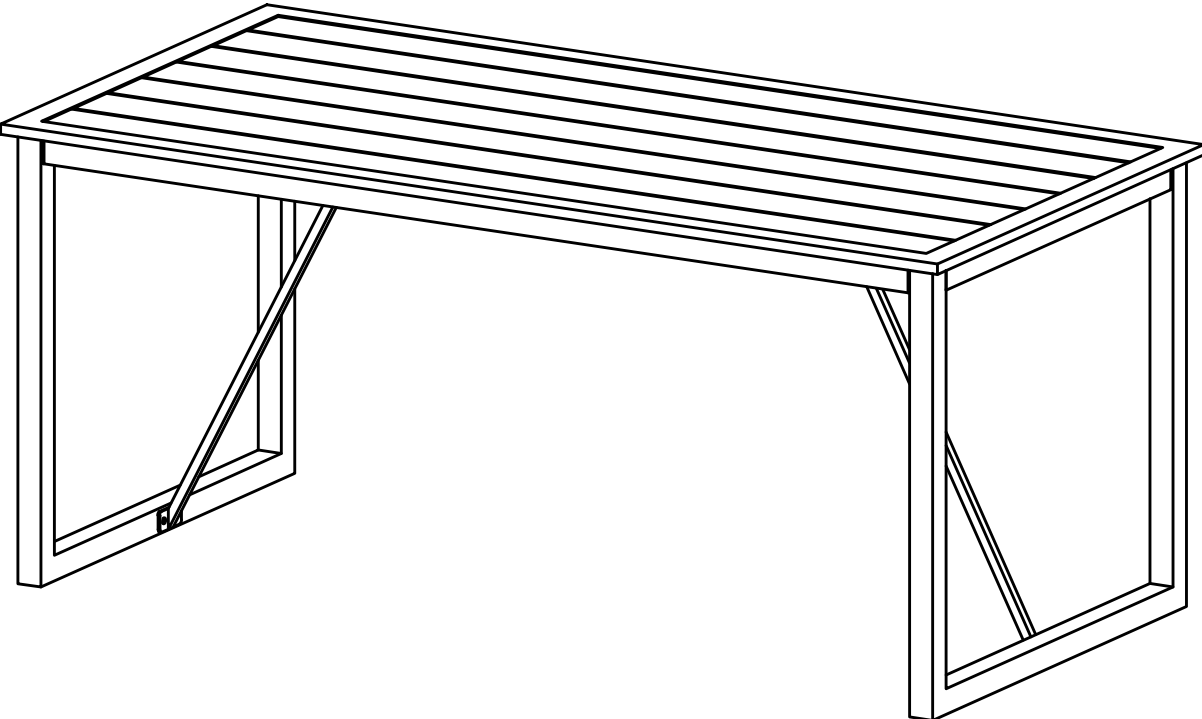
ITEMS REQUIRED

A. Bolt  M6*15*4PC	E. Hexagon Key  M6*1PC	C. Shim  M6*4PC	G. Screw cap  M6*4PC
---	---	--	---

- Attach fixed link (3) to leg(2) using bolt (A)&shim (C).
- Tighten with hexagon key (B) .
- Cover with screw cap (G) after tightening.



ASSEMBLY IS COMPLETE



Care and maintenance



Metal

- ☒ Item is designed for use outdoors. However we do not recommend leaving this product outside when not in use. To preserve the life of this item, avoid prolonged exposure to the elements & store inside/under cover or use an outdoor cover.
- ☒ DO NOT allow the furniture to be left in the rain or left wet for extended periods of time.
- ☒ Wipe furniture Dry immediately after it becoming wet.
- ☒ DO NOT clean your furniture down with any harsh solvents, abrasives or chemicals.
- ☒ To remove dirt and grime, simply rinse with fresh water or periodically clean using a sponge and mild detergent solution as required